



Swiss Spinning Solutions | Hans Stahlecker

GreenCompact  
Toparm PK2025

Spinning News SN11-3

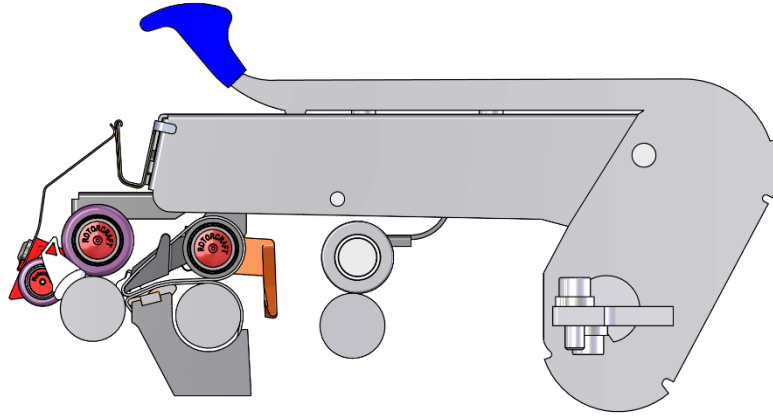
# GreenCompact for Toparms PK2025

**GreenCompact (GC) provides optimization of production and compacting without the use of additional power.**

Please ask Rotorcraft sales staff to organize spinning trials for you.

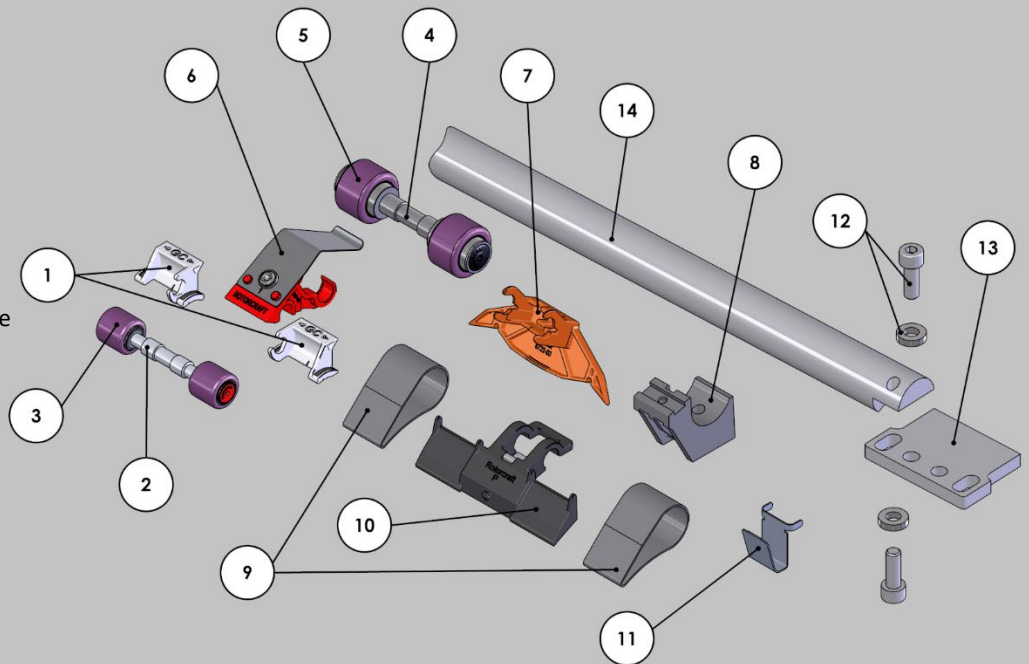
**Reducing TPI:** TPI can be decreased to increase the production volume.

**Increasing the spindle speed (RPM):** The spindle speed can be increased while keeping the level of yarn breaks the same.



## Scope of supply

1. Compactors L/R
2. DTR Delivery top roller
3. \*/\*\* Cots DTR
4. FTR Front top roller
5. \*/\*\*Cots FTR
6. TRH Top roller holder
7. Deflector or Roving guide
8. Bearing Slide
9. \*Top aprons
10. P-Cradle
11. Cleaner roller holder
12. Fastener-set
13. Plate
14. Holder bar



\* Optional supply  
 \*\* Shore hardness upon choice

 **ROTORCRAFT**  
 Swiss Spinning Solutions | Hans Stahlecker

Rotorcraft AG Switzerland  
 Bafflesstrasse 14, CH-9450 Altstätten

Tel. +41 71 757 89 60

E-Mail info@oe-rotorcraft.com  
 Internet www.oe-rotorcraft.com