



Swiss Spinning Solutions | Hans Stahlecker

GreenCompact
Toparm P3-1

Spinning News SN11-2

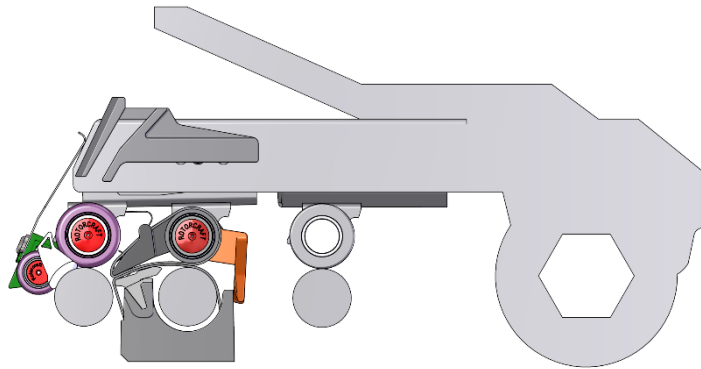
GreenCompact for Toparm P3-1

GreenCompact (GC) provides optimization of production and compacting without the use of additional power.

Please ask Rotorcraft sales staff to organize spinning trials for you.

Reducing TPI: TPI can be decreased to increase the production volume.

Increasing the spindle speed (RPM): The spindle speed can be increased while keeping the level of yarn breaks the same.

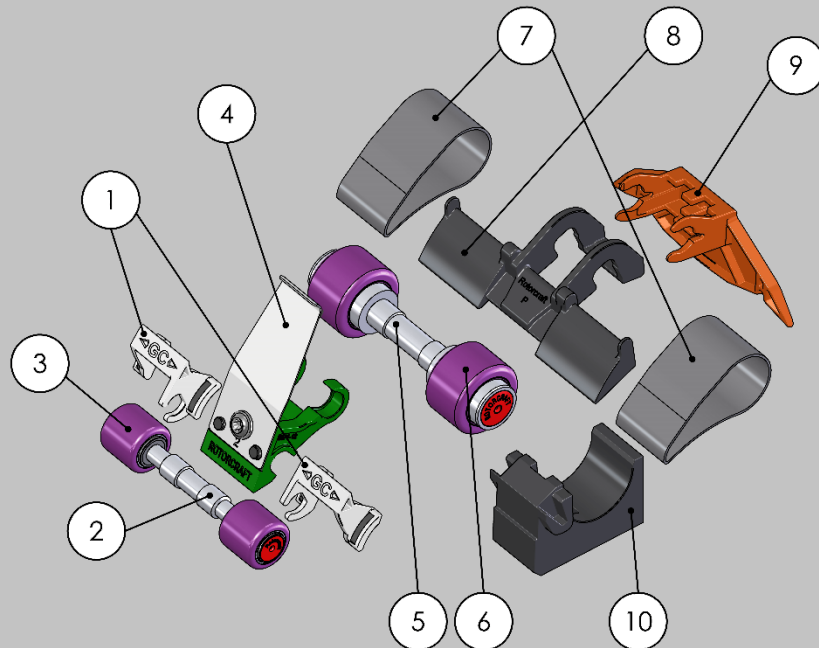


Scope of supply

1. Compactors L/R
2. DTR Delivery top roller
3. */**DTR cots
4. TRH Top roller holder
5. *FTR Front top roller
6. */** FTR cot's
7. *Top-aprons
8. P-cradle
9. Deflector or Roving guide
10. Bearing slide

* Optional supply

** Shore hardness upon choice



 **ROTORCRAFT**
Swiss Spinning Solutions | Hans Stahlecker

Rotorcraft AG
Bafflesstrasse 14, CH-9450 Altstätten

Switzerland

Tel. +41 71 757 89 60

E-Mail
Internet

info@oe-rotorcraft.com
www.oe-rotorcraft.com