



GreenCompact Premium for PK
on Toyota/KTTM frames

Spinning News SN25-1 Jan. 2022

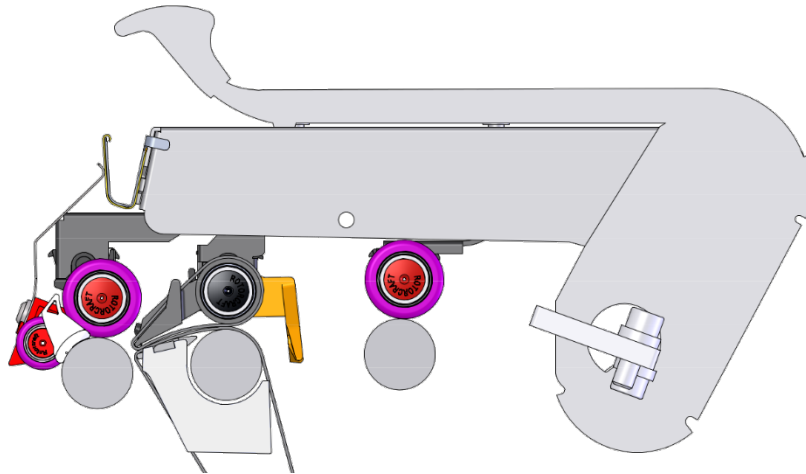
GreenCompact Premium to fit Toparm PK20xx on Toyota/KTTM frames

GreenCompact (GC) provides optimization of production and compacting without the use of additional power.

Please ask the Rotorcraft sales staff to organize spinning trials for you.

Reducing TPI: TPI can be decreased to increase the production volume.

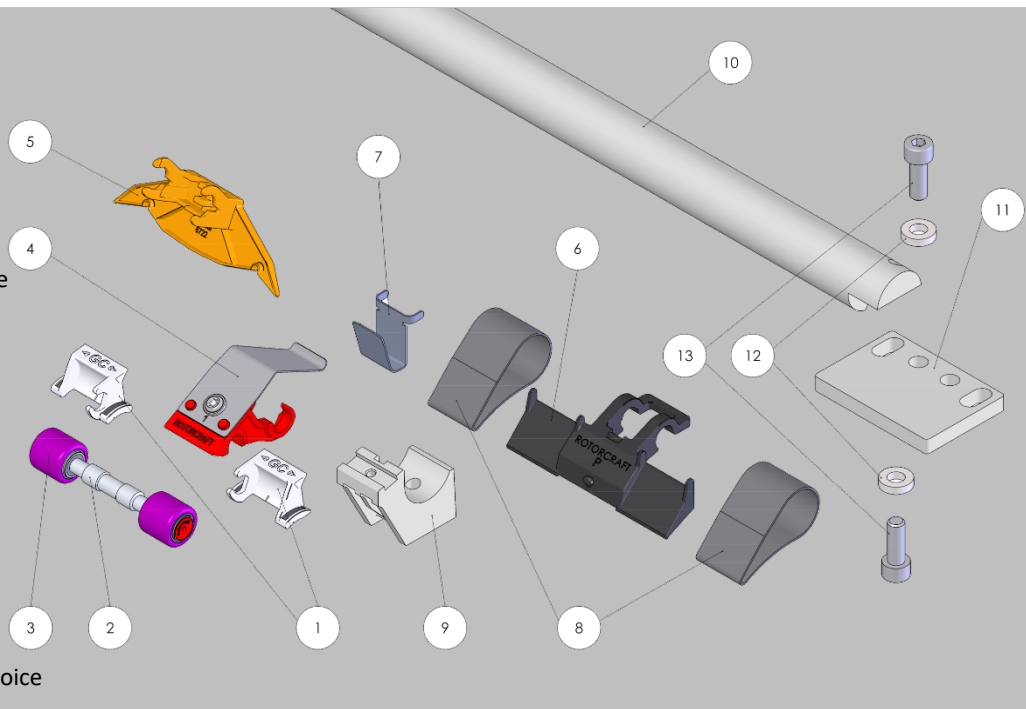
Increasing the spindle speed (RPM): The spindle speed can be increased while keeping the level of yarn breaks the same.



Scope of supply

1. Compactors L/R
2. DTR Delivery Roller
3. **DTR Cots
4. TRH cpl.
5. Deflector or Roving guide
6. P-Cradle R
7. Cleaner Roller holder
8. *Top-Aprons
9. Bearing Slide
10. Holder bar
11. Plate
12. Washers
13. Screws

- * Optional supply
- ** Shore hardness upon choice



Rotorcraft AG
Bafflesstrasse 14, CH-9450 Altstätten

Switzerland

Tel. +41 71 757 89 60
Fax +41 71 757 89 61

E-Mail info@oe-rotorcraft.com
Internet www.oe-rotorcraft.com