



GreenCompact Spinning | Hans Stahlecker

GreenCompact
Toparm PK2025

Spinning News SN11-3

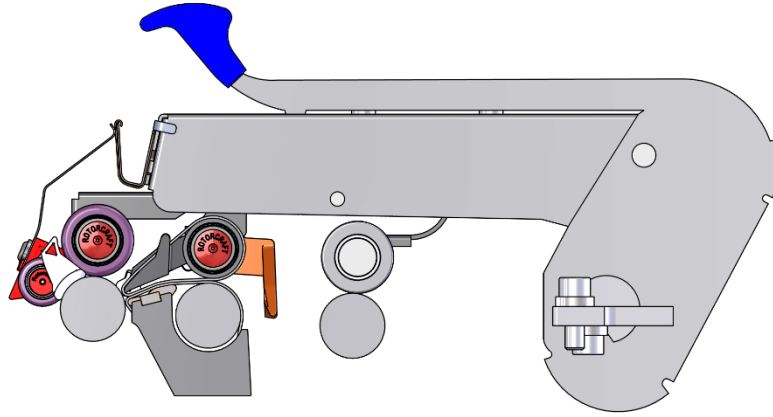
GreenCompact for Toparms PK2025

GreenCompact (GC) provides optimization of production and compacting without the use of additional power.

Please ask Rotorcraft sales staff to organize spinning trials for you.

Reducing TPI: TPI can be decreased to increase the production volume.

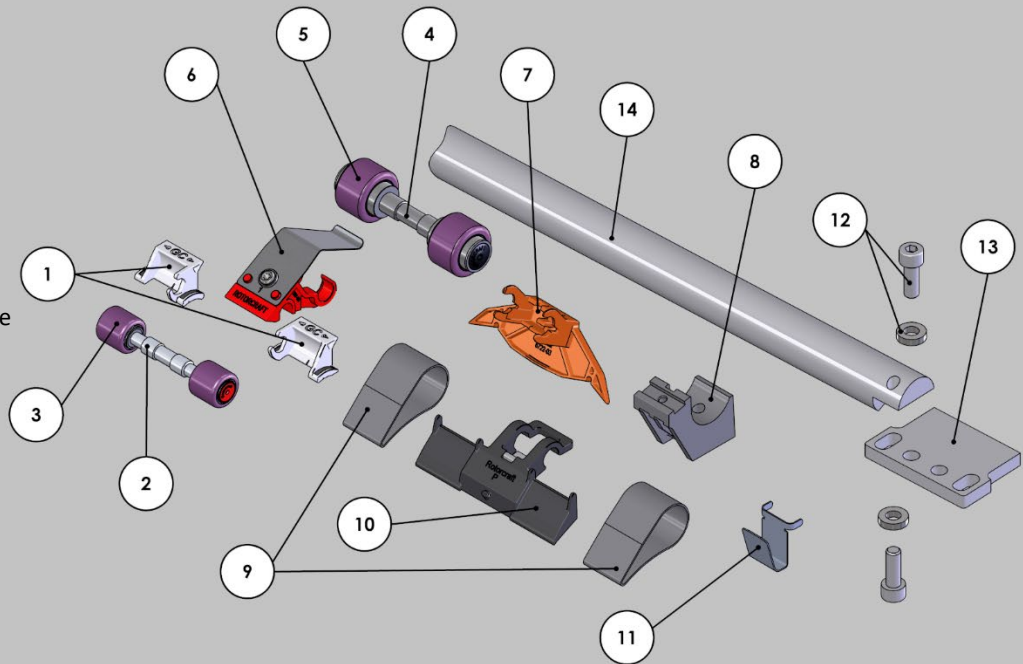
Increasing the spindle speed (RPM): The spindle speed can be increased while keeping the level of yarn breaks the same.



Full scope of supply

1. Compactors L/R
2. DTR Delivery top roller
3. */** Cots DTR
4. FTR Front top roller
5. */**Cots FTR
6. TRH Top roller holder
7. Deflector or Roving guide
8. Bearing Slide
9. *Top aprons
10. P-Cradle
11. Cleaner roller holder
12. Fastener-set
13. Plate
14. Holder bar

* Optional supply
** Shore hardness upon choice



Note: The supply for your project is strictly in accordance to the technical questionnaire and/or the proforma invoice stated by Rotorcraft.

 **ROTORCRAFT**
Swiss Spinning Solutions | Hans Stahlecker

Rotorcraft AG
Bafflesstrasse 14, CH-9450 Altstätten

Switzerland

Phone +41 71 757 89 60

E-Mail
Internet

info@oe-rotorcrafft.com
www.oe-rotorcrafft.com