



GreenCompact Spinning | Hans Stahlecker

Traverse upgrade-kit to  
GreenCompact

Spinning News    SN27

## Traverse upgrade-kit to all GreenCompact assemblies

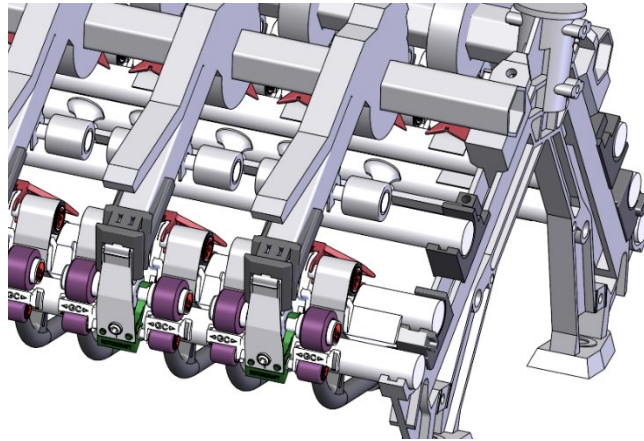
**The Traverse upgrade-kit is designed to fit all GreenCompact assemblies for Rieter/LMW, PK or other drafting systems.**

**The kit is consisting of machine parts and tailor made drafting parts in order to optimize the traverse spinning ability of all different type of frames.**

The traverse upgrade-kit advantages are:

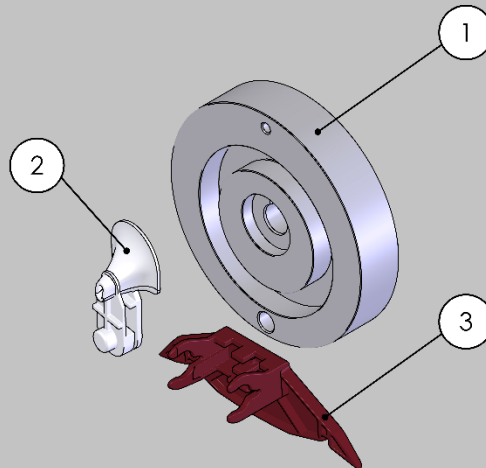
- Reduction of spindle-to-spindle variation
- Enhancing Top roller cots buffing cycle

Please contact the Rotorcraft sales staff to organize individual spinning trials for you.



### Scope of supply P3-1

1. Tailor made eccentric disk (CAM)
2. Rowing condenser
3. Deflector traverse



All images are sample pictures - variations by color or measures may occur

 **ROTORCRAFT**  
Swiss Spinning Solutions | Hans Stahlecker

Rotorcraft AG  
Bafflesstrasse 14, CH-9450 Altstätten

Switzerland

Phone +41 71 757 89 60

E-Mail  
Internet

info@oe-rotorcraft.com  
www.oe-rotorcraft.com