



GreenCompact Spinning | Hans Stahlecker

GreenCompact for
Toparm Yuhua/Changde

Spinning News SN11-5

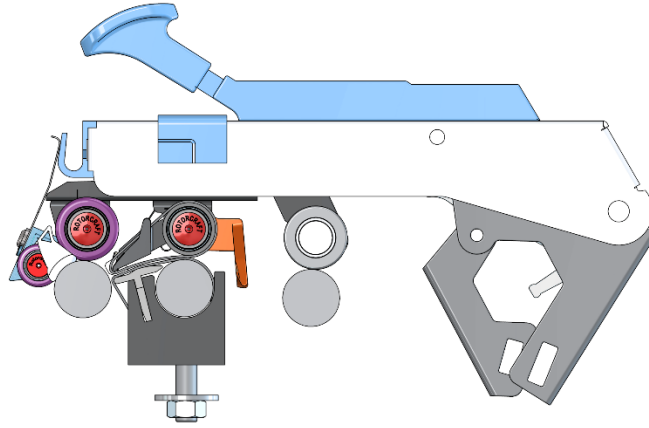
GreenCompact for Toparm Yuhua/Changde

GreenCompact (GC) provides optimization of production and compacting without the use of additional power.

Please ask Rotorcraft sales staff to organize spinning trials for you.

Reducing TPI: TPI can be decreased to increase the production volume.

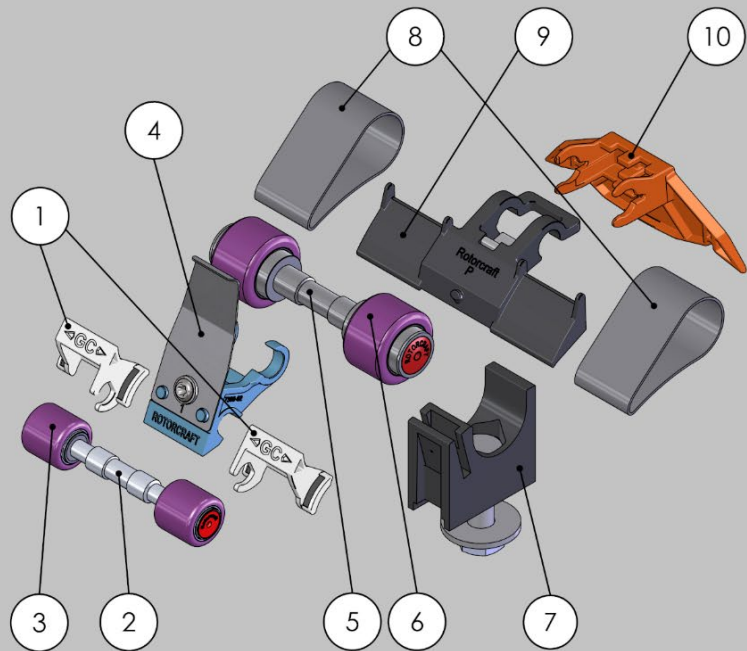
Increasing the spindle speed (RPM): The spindle speed can be increased while keeping the level of yarn breaks the same.



Full scope of supply

1. Compactors L/R
2. DTR Delivery top roller
3. */** Cots DTR
4. TRH Top roller holder
5. *FTR Front top roller
6. */** Cots FTR
7. Bearing slide set
8. *Top-aprons
9. P-cradle
10. Deflector or Roving guide

* Optional supply
** Shore hardness upon choice



Note: The supply for your project is strictly in accordance to the technical questionnaire and/or the proforma invoice stated by Rotorcraft.

 **ROTORCRAFT**
Swiss Spinning Solutions | Hans Stahlecker

Rotorcraft AG
Bafflesstrasse 14, CH-9450 Altstätten

Switzerland

Phone +41 71 757 89 60

E-Mail
Internet

info@oe-rotorcraft.com
www.oe-rotorcraft.com