



GreenCompact Spinning | Hans Stahlecker

GreenCompact for  
Toparm Yuhua/Changde

Spinning News SN11-5

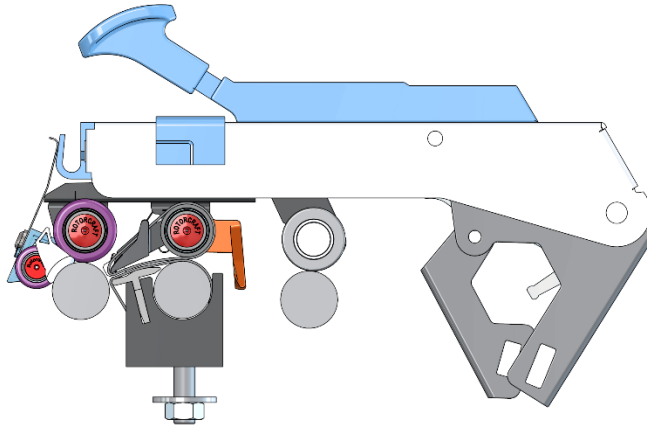
# GreenCompact for Toparm Yuhua/Changde

**GreenCompact (GC) provides optimization of production and compacting without the use of additional power.**

Please ask Rotorcraft sales staff to organize spinning trials for you.

**Reducing TPI:** TPI can be decreased to increase the production volume.

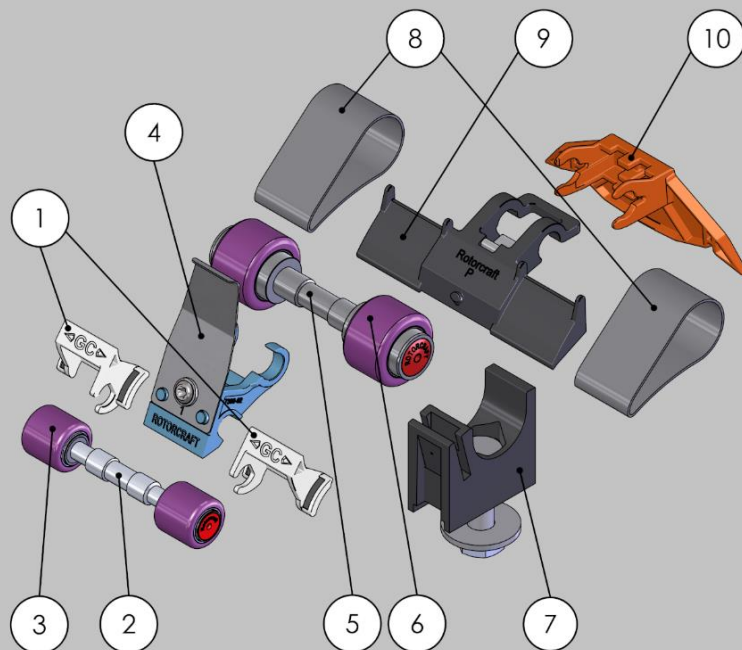
**Increasing the spindle speed (RPM):** The spindle speed can be increased while keeping the level of yarn breaks the same.



## Full scope of supply

1. Compactors L/R
2. DTR Delivery top roller
3. \*/\*\* Cots DTR
4. TRH Top roller holder
5. \*FTR Front top roller
6. \*/\*\* Cots FTR
7. Bearing slide set
8. \*Top-aprons
9. P-cradle
10. Deflector or Roving guide

\* Optional supply  
\*\* Shore hardness upon choice



Note: The supply for your project is strictly in accordance to the technical questionnaire and/or the proforma invoice stated by Rotorcraft.

 **ROTORCRAFT**  
Swiss Spinning Solutions | Hans Stahlecker

Rotorcraft AG  
Bafflesstrasse 14, CH-9450 Altstätten

Switzerland

Phone +41 71 757 89 60

E-Mail  
Internet

info@oe-rotorcraft.com  
www.oe-rotorcraft.com