

SN14

Rotorcraft Spinning News

No. 14-04  
RT3 Top Arm

Issue  
April 2017

**RT3 Top Arm**  
for ring- and roving frames

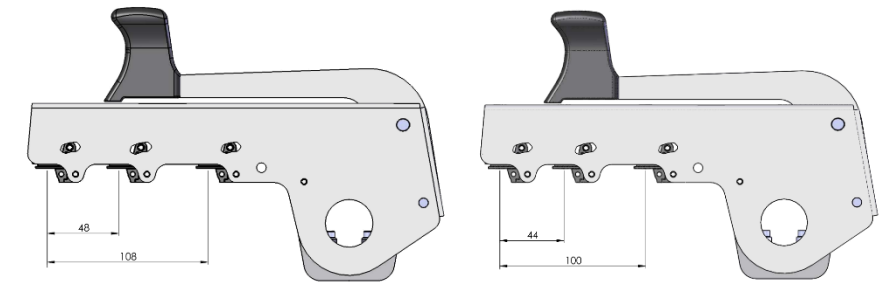
RT3 - for every application

## RT3 Range of products

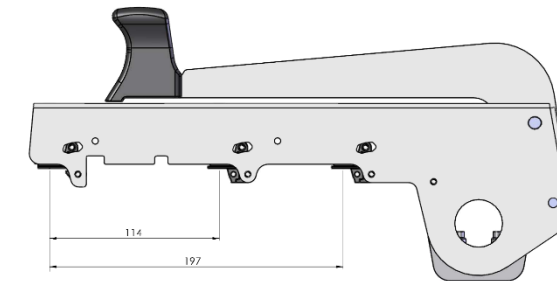
The RT3 Top Arm is a versatile tool. Rotorcraft features a set of solutions for short- and long staple spinning and for roving.

For inquiry, our sales staff provides the RT3-Questionnaire. Our sales engineers will give you support to identify the properties of your frame and your spinning applications.

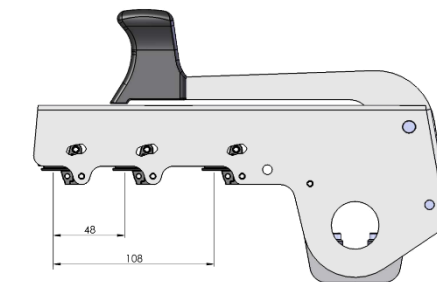
RT3 203 and RT3 195  
Short staple



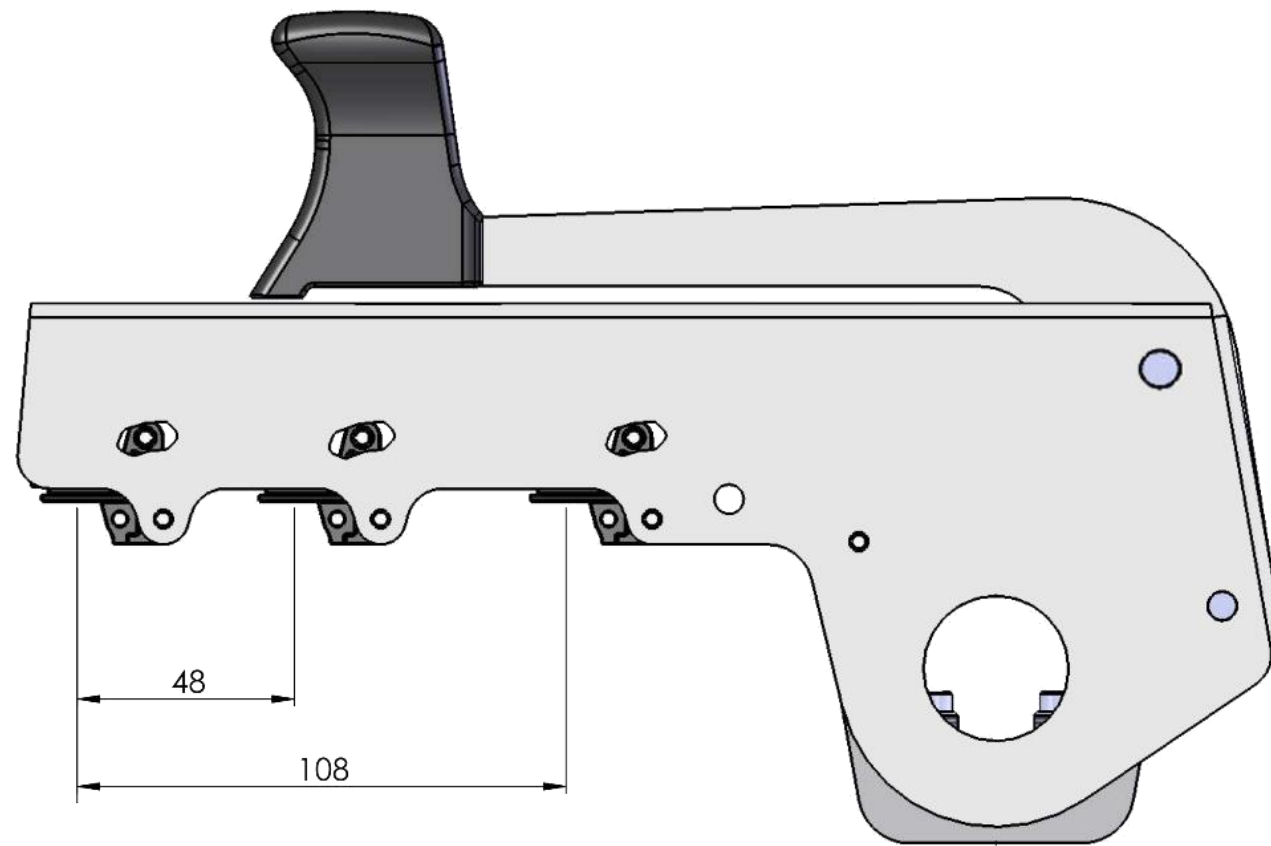
RT3 288  
Long staple



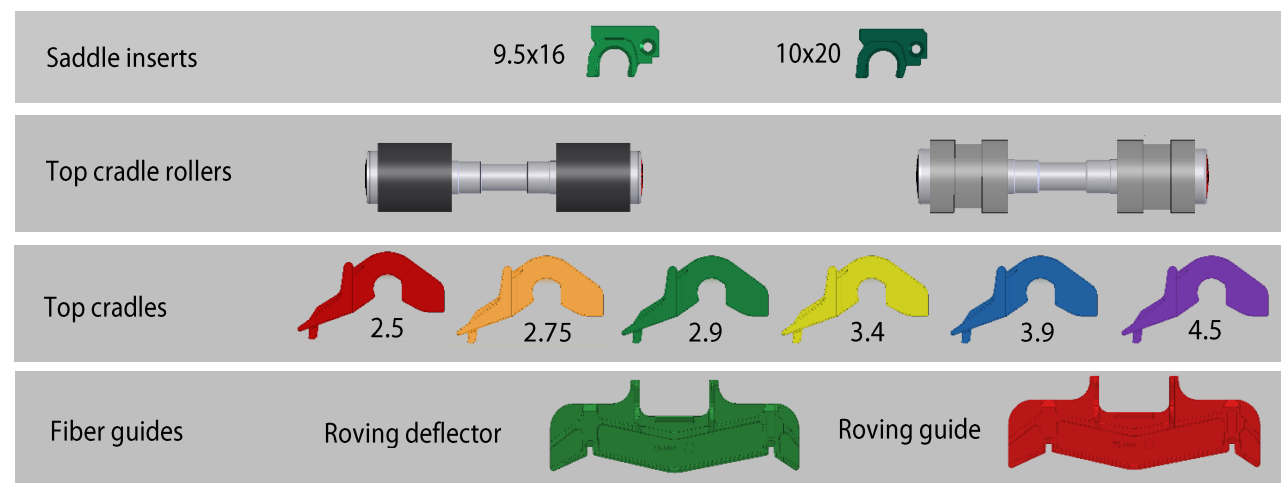
RT3 203R  
Roving



## RT3 Top Arm



## RT3 Range of parts



RT3 – designed to eliminate all human errors in setting the Top Arm

## Benefits

A mill with 50'000 spindles and up-to-date equipment has got 25'000 Top Arms with 75'000 set screws. Nobody will be able to check the correct setting of all this screws.

For this reason, we assume at least 2 out of 100 spindles produce yarn out of limits, another 5 Spindles produce yarn at the upper or lower IPI boundaries. In such a mill, some 3500 spindles produce yarn which needs to be eliminated in post processing.

In contrary, RT3 top arm does not have a single set screw. Some few exchangeable components in different colors are enough to support a well-balanced and save drafting at a maximum yield, as every single part of different color can easily be distinguished amongst others by everyone in the mill.

Using RT3 Top Arms for spinning you will experience best yield at a best-balanced production compared to competitors.

The commercial benefit becomes obvious only after months.

- + Superior yield
- + Color labeled exchange parts
- + State-of-the art-built
- + Maintenance free
- + Applicable for any existing frame
- + Optimized for Green Compact

\*RT3 is delivered with a tailor made 1<sup>st</sup> set of exchangeable parts: 3 saddle inserts, 2 Top Cradle roller cots, 1 cradle and 1 Deflector.

With RT3 Top Arms and its range of exchangeable parts all counts from coarse to super fine can be spun and all kind of fibers up to 60 mm can be processed.