



SN14

No. 14-05
RT3 Toparm

Rotorcraft Spinning News

Issue
September 2017

RT3 Toparm
for ring- and roving frames

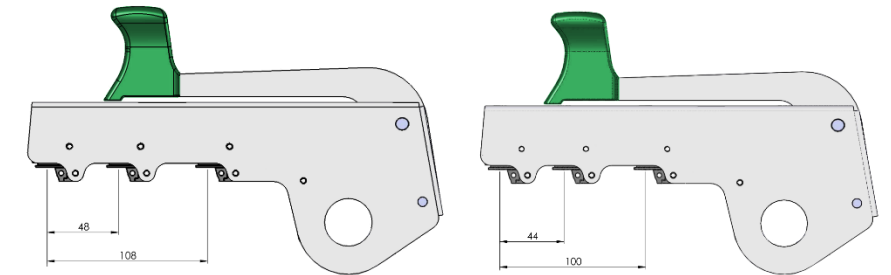
RT3 - for every application

RT3 Range of products

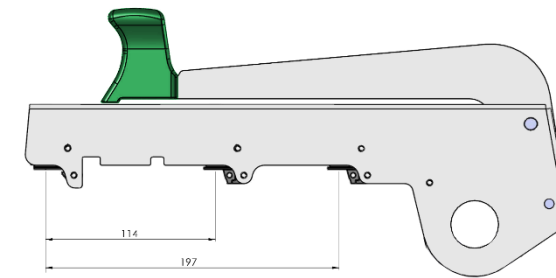
The RT3 Toparm is a versatile tool. Rotorcraft features a set of solutions for short- and long staple spinning and for roving frames.

For inquiry, our sales staff provides the RT3-Questionnaire. Our sales engineers will give you support to identify the properties of your frame and your spinning applications.

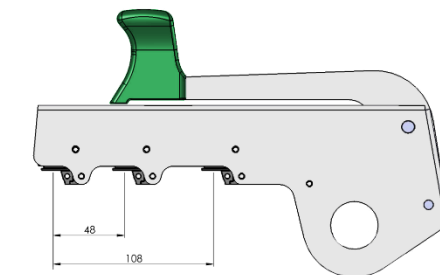
RT3 203 and RT3 195
Short staple



RT3 288
Long staple



RT3 203R
Roving



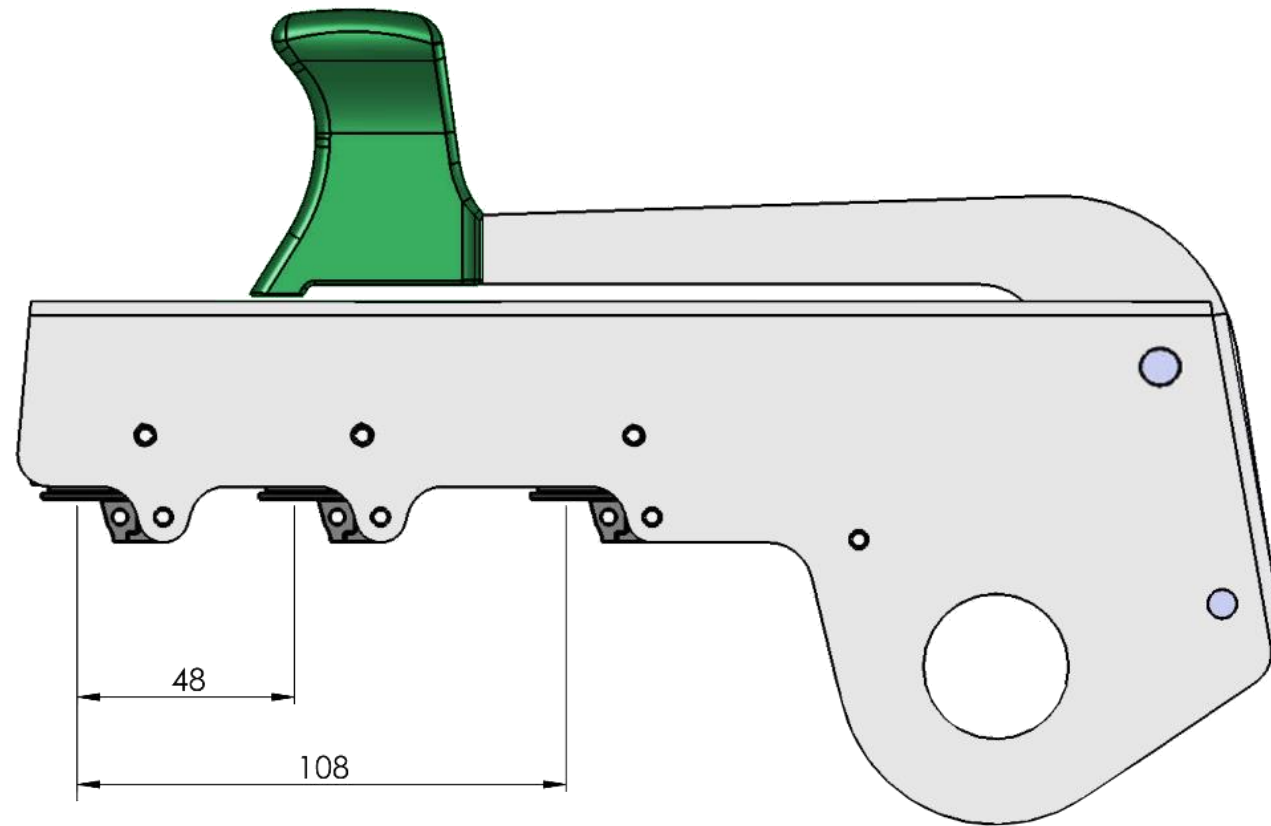
ROTORCRAFT
Swiss Spinning Solutions | Hans Stahlecker

Rotorcraft AG Switzerland
Bafflesstrasse 14, CH-9450 Altstätten

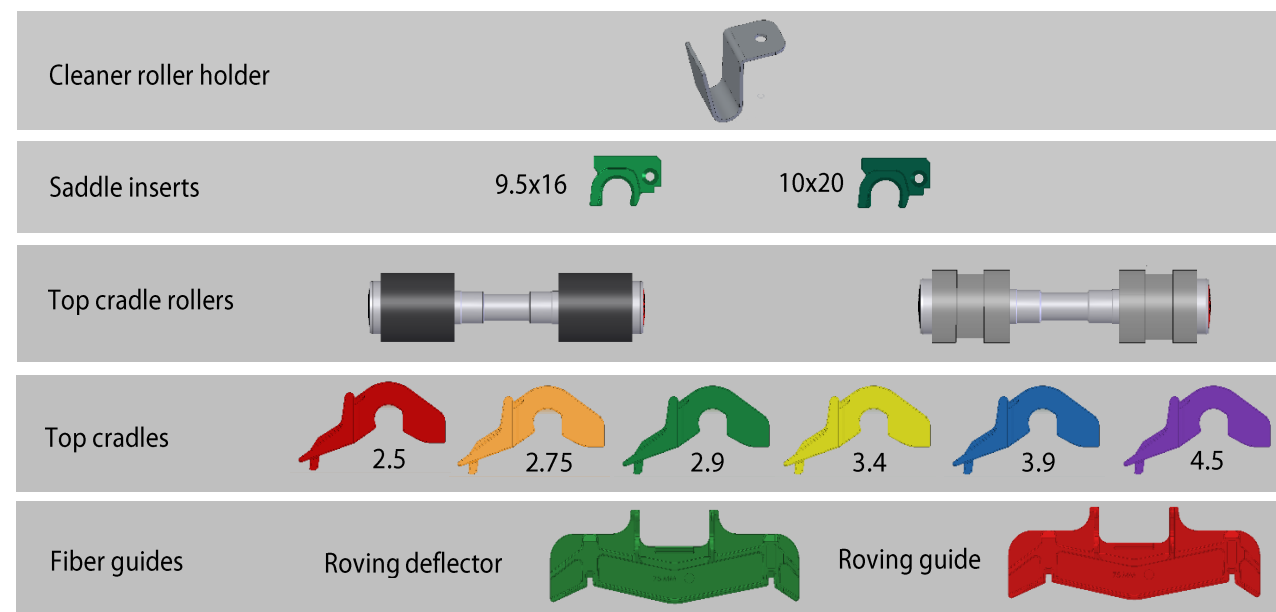
Tel. +41 71 757 89 60
Fax +41 71 757 89 61

E-Mail info@oe-rotorcraft.com
Internet www.oe-rotorcraft.com

RT3 Toparm



RT3 Range of parts



RT3 – designed to eliminate all human errors in setting the Toparm

Benefits

A mill with 50'000 spindles and up-to-date equipment has got 25'000 Toparms with 75'000 set screws. Nobody will be able to check the correct settings of all these screws.

For this reason, we assume at least 2 out of 100 spindles produce yarn out of limits and another 5 Spindles produce yarn at the upper or lower IPI boundaries. In such a mill, some 3500 spindles produce yarn which needs to be eliminated in post processing.

In contrary, RT3 Toparm does not have a single set screw. Some few exchangeable components in different colors are enough to support a well-balanced and safe drafting at a maximum yield, as every single part of different color can easily be distinguished amongst others by everyone in the mill.

Using RT3 Toparm for spinning, you will experience best yield at a best-balanced production compared to competitors.

The commercial benefit becomes obvious only after months of use.

- + Color labeled exchange parts
- + Maintenance free
- + Applicable for any existing frame
- + Optimized for Green Compact

*RT3 Toparm is delivered with a 1st set of saddle inserts.

With RT3 Toparm and its range of exchangeable parts all counts from coarse to super fine can be spun and all kinds of fibers up to 60 mm can be processed.