

SN11

Rotorcraft Spinning News

No. 11-4
GreenCompact

Issue
September 2017

GreenCompact

Toparm PK2630 Texparts

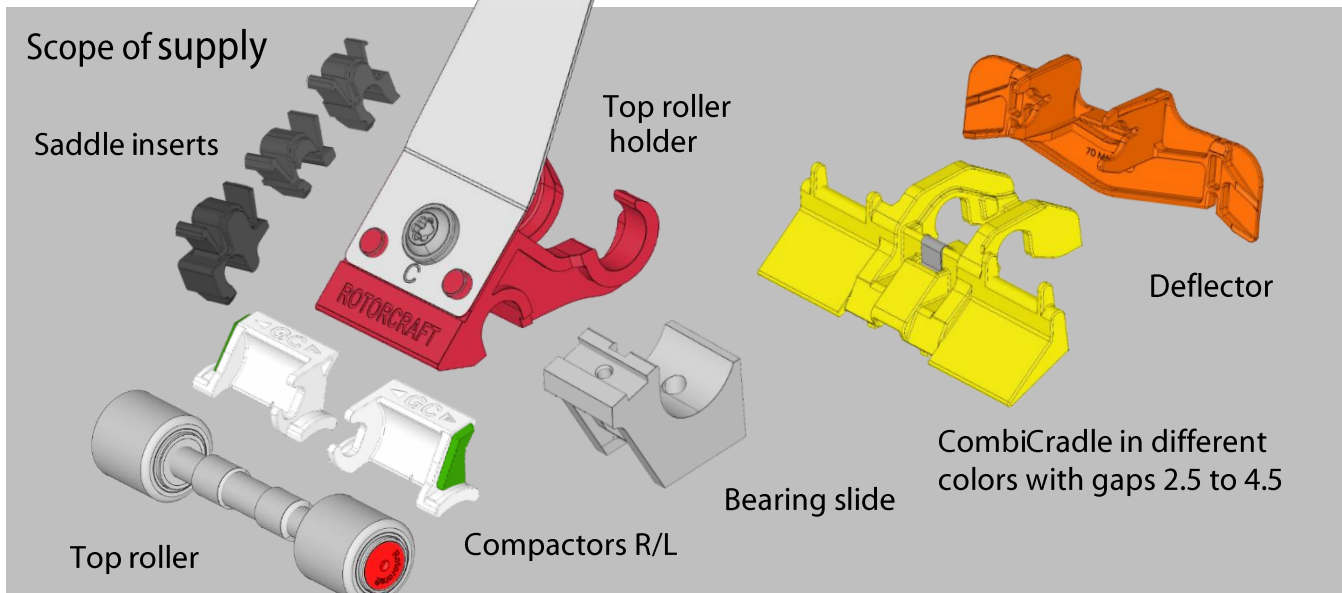
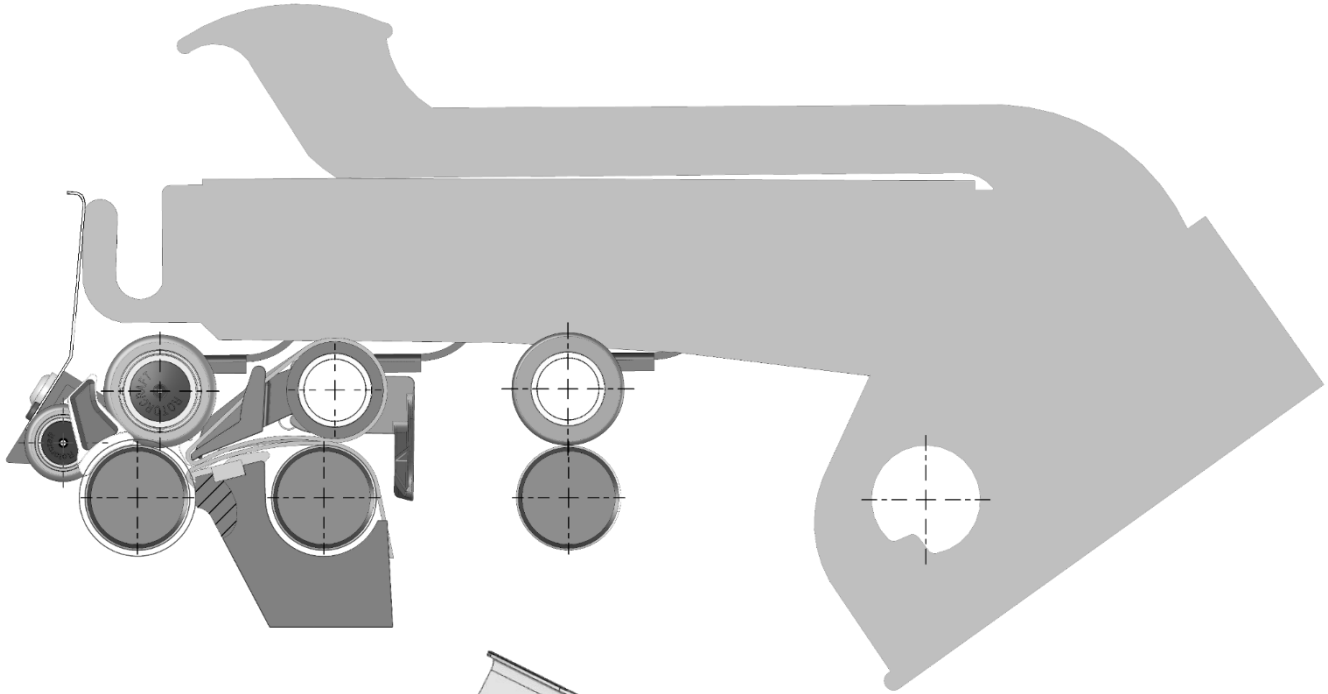
Present yarn quality
at lower cost – better
yarn at present cost

GreenCompact (GC) provides optimization of production and compacting without the use of additional power.

Please ask Rotorcraft sales staff to organize spinning trials for you.

Reducing TPI: TPI can be decreased to increase the production volume.

Increasing the spindle speed (RPM): The spindle speed can be increased while keeping the level of yarn breaks the same.



ROTORCRAFT

Swiss Spinning Solutions | Hans Stahlecker

Rotorcraft AG
Bafflesstrasse 14, CH-9450 Altstätten

Switzerland

Tel. +41 71 757 89 60
Fax +41 71 757 89 61

E-Mail info@oe-rotorcraft.com
Internet www.oe-rotorcraft.com